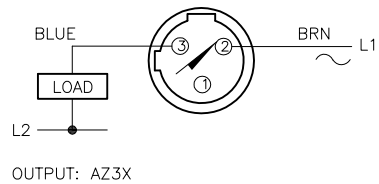
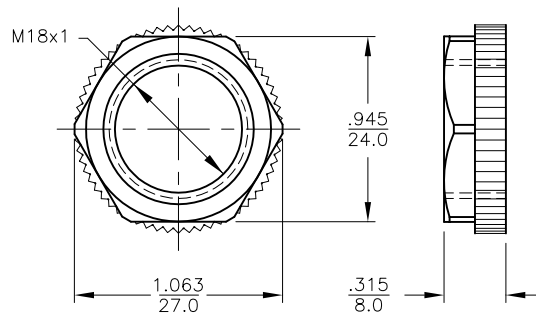


WIRING DIAGRAM



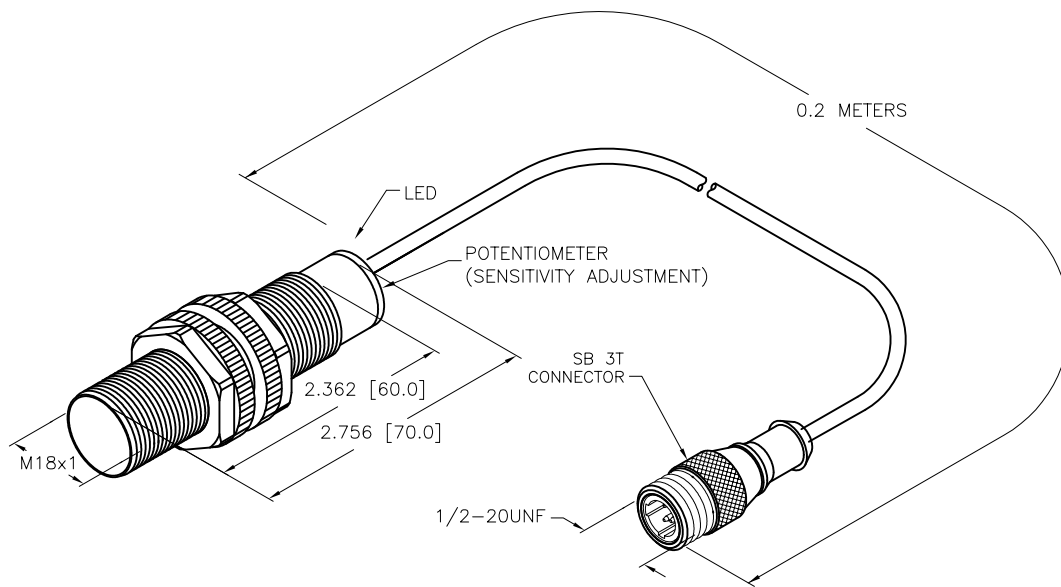
**WARNING: NO SHORT-CIRCUIT PROTECTION.**  
ALWAYS WIRE A LOAD IN SERIES WITH THE SENSOR.

LOCKNUT LN-P18


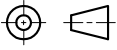


SPECIFICATIONS

RATED OPERATING DISTANCE	5mm (FLUSH MOUNT)
RATED OPERATING DISTANCE	7.5mm (NON-FLUSH MOUNT)
TEMPERATURE DRIFT	≤±20%
HYSTERESIS	2-20%
MIN. REPEAT ACCURACY	≤2%
OPERATING TEMPERATURE	-25°C to +70°C (+13°F to +158°F)
RATED OPERATIONAL VOLTAGE	20-250 VAC
RATED OPERATIONAL CURRENT	≤500 mA (AC)
FREQUENCY	≥50... ≤60 Hz
SMALLEST OPERATING CURRENT	≤5.0 mA
RESIDUAL CURRENT	≤1.7 mA
RATED INSULATION VOLTAGE	≤1.5 kV
MAX. SWITCHING FREQUENCY	≤0.02 kHz
MAX. VOLTAGE DROP	≤7.0 V
OUTPUT FUNCTION	2-WIRE, NORMALLY OPEN, 2-WIRE
HOUSING MATERIAL	PLASTIC, PA12-GF30
ACTIVE FACE	PLASTIC, PA12-GF20
CABLE	∅5.2, PVC
VIBRATION RESISTANCE	55 Hz (IN ALL 3 PLANES)
SHOCK RESISTANCE	30 g, 11 ms
DEGREE OF PROTECTION	IP67
SWITCHING STATUS INDICATION	LED, YELLOW



SOURCE DRAWING - FOR REFERENCE ONLY

RELATED DOCUMENTS		3RD ANGLE PROJECTION		THIS DRAWING IS CONFIDENTIAL AND THE PROPERTY OF TURCK INC. USE OF THIS DOCUMENT WITHOUT WRITTEN PERMISSION IS PROHIBITED.		 3000 CAMPUS DRIVE MINNEAPOLIS, MN 55441 1-800-544-7769 (763) 553-7300 (763) 553-0708 fax www.turck.us	
1. 2. 3. 4.				DRFT NF	DATE 02/24/17	DESCRIPTION BC5-S18-AZ3X-0.2M-SB3T	
MATERIAL SEE SPECIFICATIONS		ALL DIMENSIONS DISPLAYED ON THIS DRAWING ARE FOR REFERENCE ONLY		APVD	SCALE 1=1.5	IDENTIFICATION NO. 2305590	
FINISH		CONTACT TURCK FOR MORE INFORMATION		UNIT OF MEASUREMENT <b>INCH [ MILLIMETER ]</b>		REV B	
B UPDATE ID NUMBER PER HARMONIZATION PROJECT		CBM 11/06/17		DO NOT SCALE THIS DRAWING		FILE: 2305590	
REV DESCRIPTION		BY DATE ECO NO.				SHEET 1 OF 1	